

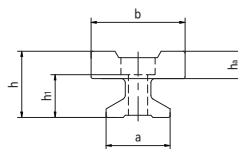
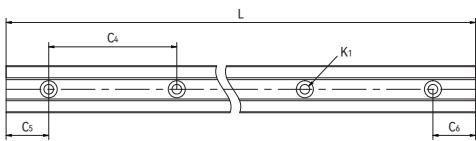
## TR02直线导轨 Low-profile linear guide rails



### 产品特性 Product features

- 表面经过硬质氧化铝合金
  - 配合TRC02免维护滑台使用
  - 轻量化设计
- 
- Made of hard anodized surface of aluminum alloy
  - Maintenance-free with TRC02 roller carragies
  - Lightweight design

### 标准规格 Standard specifications



产品编码 Part No.:

TR02-15-0000-NH

- 空白Blank: 带安装孔 With mounting holes
- NH: 无安装孔 No mounting holes
- 长度 Length
- 宽度 Width

产品编码 Part No.	b [mm]	h [mm]	ha [mm]	a <sub>0.2</sub> [mm]	h <sub>1</sub> [mm]	C <sub>5</sub> =C <sub>6</sub> [mm]		C <sub>4</sub> [mm]	*K <sub>1</sub> [mm]	L max. [mm]	重量 Weight [Kg/m]
						min.	max.				
TR02-15-0000	22	15	6.4	15	10	20	49.5	60	M4	4000	0.6

\*K<sub>1</sub>用于螺栓 For bolts

产品编码 Part No.	b [mm]	h [mm]	ha [mm]	a <sub>0.2</sub> [mm]	h <sub>1</sub> [mm]	C <sub>5</sub> =C <sub>6</sub> [mm]		C <sub>4</sub> [mm]	*K <sub>1</sub> [mm]	L max. [mm]	重量 Weight [Kg/m]
						min.	max.				
TR02-15-0000-NH	22	15	6.4	15	-	-	-	-	-	4000	0.6

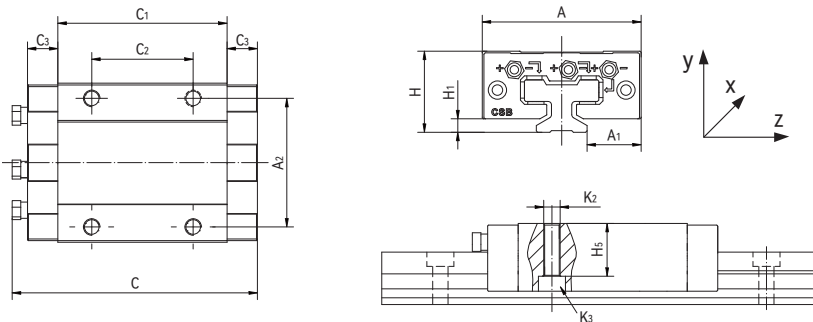
### TRC02导轨滑块 Guide rail carriages



### 产品特性 Product features

- 安装EPB13标准滑动元件
  - 自润滑、免维护
  - 带独立间隙调整装置
  - 用于TR02直线导轨
  - 可选配Y或Z方向浮动型号
- Fitted EPB13 standard sliders
  - Maintenance-free, dry-running
  - With individual clearance adjustment
  - For TR02 linear guide rails
  - Optional floating bearing version in Y or Z direction

### 标准规格 Standard specifications



产品编码 Part No.:

TRC02-15-FLY

可选 Optional:  
FLY: 浮动方向 Floating direction Y  
FLZ: 浮动方向 Floating direction Z  
导轨宽度 Guide rail width

产品编码 Part No.	A [mm]	A <sub>1</sub> ±0.35 [mm]	A <sub>2</sub> [mm]	C [mm]	C <sub>1</sub> [mm]	C <sub>2</sub> [mm]	C <sub>3</sub> [mm]	H ±0.35 [mm]	H <sub>1</sub> ±0.35 [mm]	H <sub>5</sub> [mm]	K <sub>2</sub> [mm]	K <sub>3</sub> [mm]	锁紧扭矩 Tightening torque [Nm]	静态载荷 Static load					重量 Weight [kg]
														C <sub>0y</sub> ± [N]	C <sub>0z</sub> ± [N]	M <sub>0x</sub> [Nm]	M <sub>0y</sub> [Nm]	M <sub>0z</sub> [Nm]	
TRC02-15	47	16	38	74	50	30	9	24	4	16	M5	M4	1.5	4000	2000	32	25	25	0.11

\*TRC02-15-FLY/FLZ: 最大浮动间隙 Max. floating 0.3mm